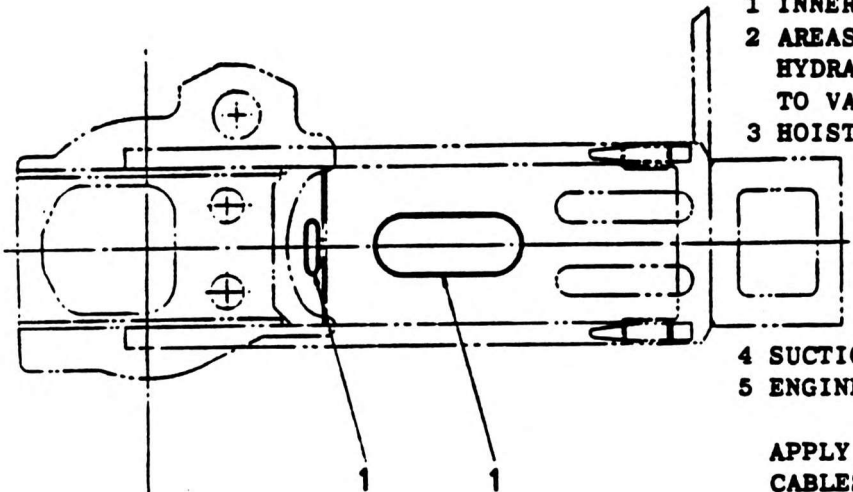


HOSE PROTECTION INSTALLATION

NOTES:

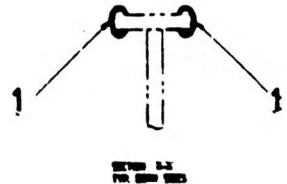
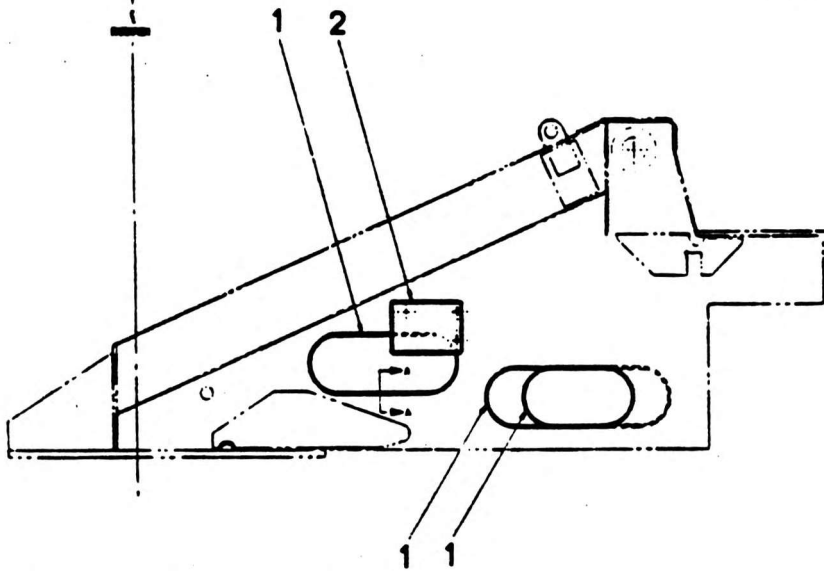
APPLY ITEM 3 (NOT SHOWN) TO:

- 1 INNER TELE HOSES
- 2 AREAS OF HIGH PRESSURE HOSE FROM HYDRAULIC PUMPS AND AREAS ADJACENT TO VALVE BANKS
- 3 HOIST DRAIN LINE HOSES IN ENGINE BAY



- 4 SUCTION HOSES ON HYDRAULIC PUMPS
- 5 ENGINE FUEL LINES

APPLY ITEMS 4, 5 & 6 (NOT SHOWN) TO CABLES AND HOSES SUBJECT TO ABRASION



ITEMS 3, 4, 5, 6, 7 & 8 NOT SHOWN.

| NO. | PART NO.     | QTY. | DESCRIPTION                  | NO. | PART NO. | QTY. | DESCRIPTION |
|-----|--------------|------|------------------------------|-----|----------|------|-------------|
| 1   | 6-543-990893 | AR   | Hose 1/2" x 600 Long         |     |          |      |             |
| 2   | 6-637-007005 | 1    | Clip Beading 1.524 Long      |     |          |      |             |
| 3   | 6-814-990091 | AR   | Protection Hose 25m Long     |     |          |      |             |
| 4   | 6-814-990092 | AR   | Armour Guard 1/2" x 10m Long |     |          |      |             |
| 5   | 6-814-990031 | AR   | Armour Guard                 |     |          |      |             |
| 6   | 6-814-990032 | 2    | Armour Guard                 |     |          |      |             |
| 7   | 7-312-990054 | 150  | Zip Clips                    |     |          |      |             |
| 8   | 7-312-990115 | 150  | Cable Ties                   |     |          |      |             |

A/R - As Required